

Name	Security Level
BELLSING™ Hornet Series AMBA Receiver	Open
Version	A Total of 4 Pages
REV A	

BRC205C31736

Product Data Sheet

Prepared by: _____	Date: 2016-05-06 _____
Auditor: _____	Date: _____
Approver: _____	Date: _____



Shenzhen Bellsing Acoustic Tech. Co., Ltd.

BRC205C31736 AMBA receiver

1.1 Description

Dual advanced miniature balanced-armature receiver with magnetic-radiation shielding for use in in-ear monitor and headset applications with standard response. This transducer can also play an excellent role as a tweeter driver in commercial hearing products.

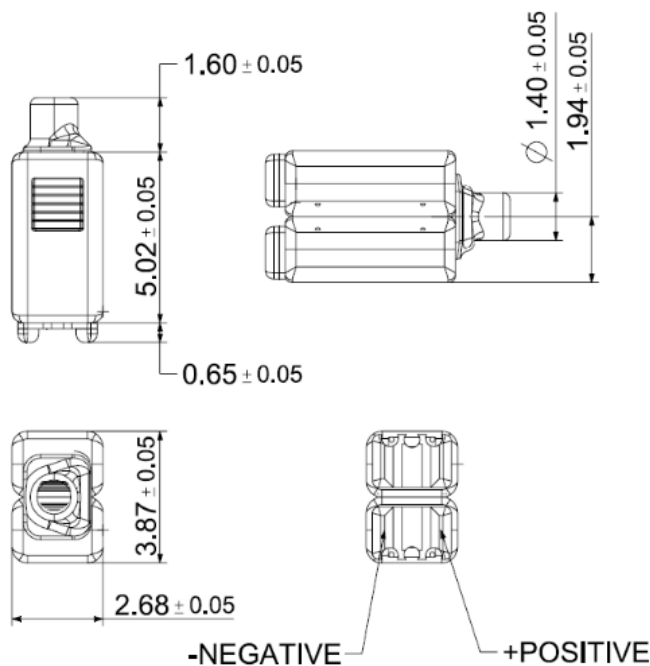
Name:	Hornet Series AMBA Receiver
Part Number:	BRC205C31736 REV A

1.2 Construction Specification



Weight: 0.24 g

Mechanical dimension : please refer to the drawing below



1.3 Features & Benefits

- I Dual AMBA receiver used for tweeter
- I Outstanding efficiency
- I Substantial maximum output
- I Magnetic-radiation shielded
- I Optimized mechanical shock resistance
- I Water resisted

1.4 Electro-acoustic Specifications

Test condition

- I Acoustic tubing: 10.0mm of 1.0mm diameter tubing
- I Acoustic coupler: IEC711 coupler (volume of 2cc)
- I Constant voltage drive: 0.094V RMS
- I Environment: 23°C, RH 50%

Acoustic Parameter I

Test Item		Nominal	Tolerance	Comments
Sensitivity(dB)	@200Hz	93.5	+/- 3.0	
	@500Hz	94.0	+/- 3.0	
	@1000Hz	96.0	+/- 3.0	
Peak1	Frequency (Hz)	3550	+/- 350	
	SPL(dB)	114.7	+/- 3.0	
Peak2	Frequency (Hz)	6300	+/- 500	
	SPL(dB)	114.08	+/- 3.0	
Maximum output@Peak frequency (dB)		128	N/A	THD<10%

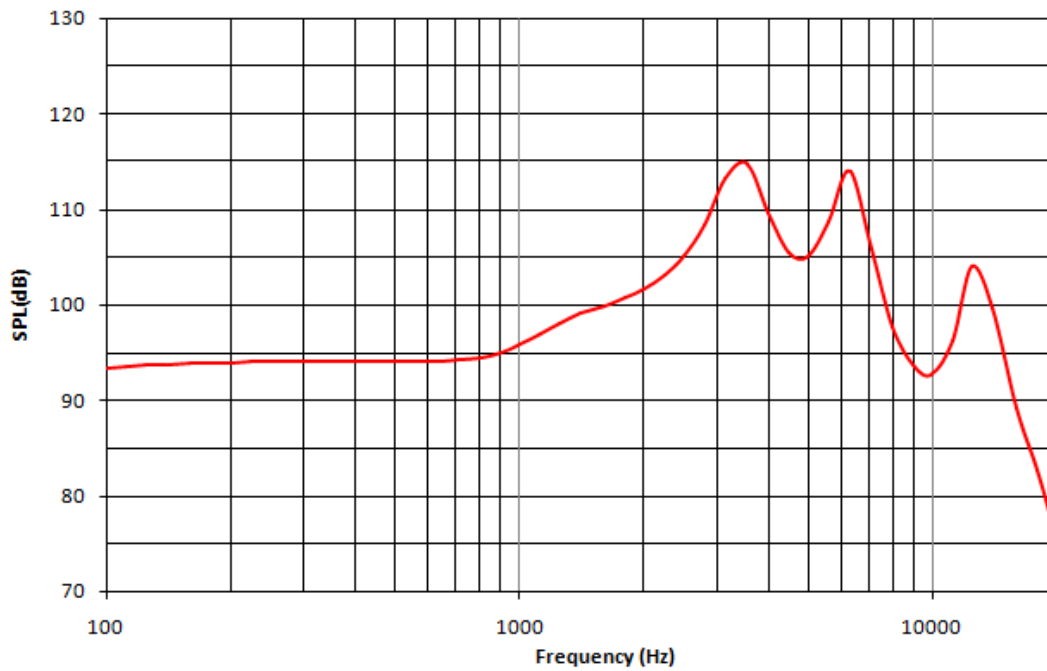
Acoustic Parameter II

Test Item		Nominal	Comments
THD(%)	@1/2 1 st peak	<5.0	
	@1/3 1 st peak	<5.0	
	@500Hz	<5.0	

Electric Parameter

Test Item		Nominal	Tolerance	Comments
Impedance(Ω)	@500Hz	12.2	+/- 15%	
	@1000Hz	12.88	+/- 15%	
DCR(Ω)		6.3	+/- 10%	

Nominal Frequency Response Curve



1.5 Package and Storage Condition

- I Package: PET bubble pack, 1pc per bubble, 100pcs per pack
- I Storage temperature range: -40°C ~ 60°C
- I Storage humidity range: <60%