

|                                 |                    |
|---------------------------------|--------------------|
| Name                            | Security Level     |
| BRC215C31785 Product Data Sheet | Open               |
| Version                         | A Total of 4 Pages |
| REV A                           |                    |

# BRC215C31785

## Product Data Sheet

Prepared by: \_\_\_\_\_

Date: 2016-04-15

Auditor: \_\_\_\_\_

Date: \_\_\_\_\_

Approver: \_\_\_\_\_

Date: \_\_\_\_\_



Shenzhen Bellsing Acoustic Tech. Co., Ltd.

## BRC215C31785 AMBA receiver

### 1.1 Description

Advanced Miniature balanced-armature ( AMBA ) receiver with magnetic-radiation shielding for use in in-ear monitor applications with standard response.

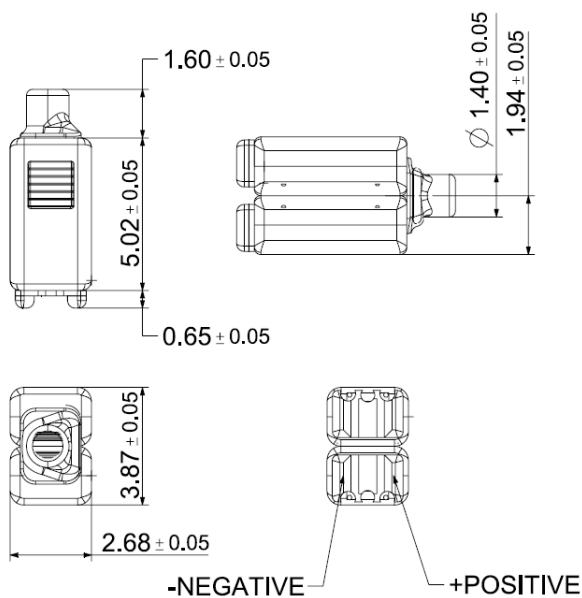
|              |                                 |
|--------------|---------------------------------|
| Name:        | BRC215C31785 Product Data Sheet |
| Part Number: | BRC215C31785 REV A              |

### 1.2 Construction Specification



Weight: 0.24g

Mechanical dimension: please refer to the drawing below



### 1.3 Features&Benefits

- I Dual AMBA receiver used for tweeter
- I Outstanding efficiency
- I Substantial maximum output
- I Magnetic-radiation shielded
- I Optimized mechanical shock resistance
- I Water resisted

### 1.4 Electro-acoustic Specifications

#### Test condition

- I Acoustic tubing: 10.0mm of 1.0mm diameter tubing
- I Acoustic coupler: IEC711 coupler (volume of 2cc)
- I Constant voltage drive: 0.12V RMS
- I Environment: 23°C, RH 50%

#### Acoustic Parameter I

| Test Item                          |                | Nominal | Tolerance | Comments |
|------------------------------------|----------------|---------|-----------|----------|
| Sensitivity(dB)                    | @200Hz         | 110.0   | +/- 3.0   |          |
|                                    | @500Hz         | 109.5   | +/- 3.0   |          |
|                                    | @1000Hz        | 111.0   | +/- 3.0   |          |
| Peak1                              | Frequency (Hz) | 2300    | +/- 350   |          |
|                                    | SPL(dB)        | 119.5   | +/- 3.0   |          |
| Peak2                              | Frequency (Hz) | 5600    | +/- 500   |          |
|                                    | SPL(dB)        | 117.0   | +/- 3.0   |          |
| Maximum output@Peak frequency (dB) |                | 128     | N/A       | THD<10%  |

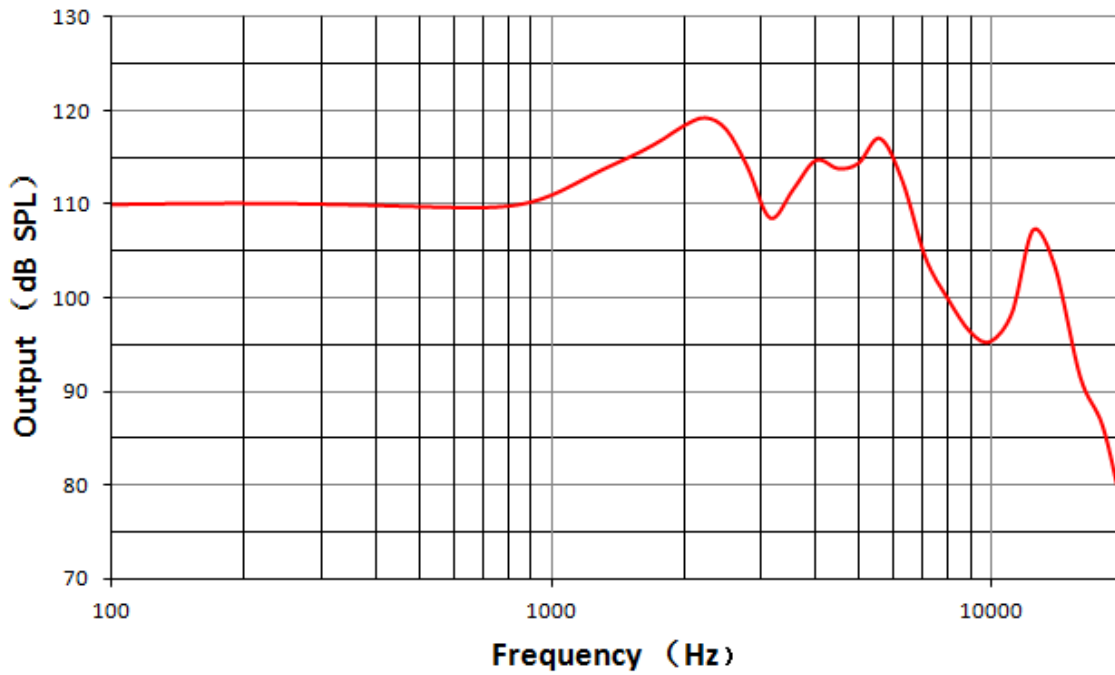
#### Acoustic Parameter II

| Test Item |                           | Nominal | Comments |
|-----------|---------------------------|---------|----------|
| THD(%)    | @1/2 1 <sup>st</sup> peak | <5.0    |          |
|           | @1/3 1 <sup>st</sup> peak | <5.0    |          |
|           | @500Hz                    | <5.0    |          |

### Electric Parameter

| Test Item             | Nominal | Tolerance | Comments |
|-----------------------|---------|-----------|----------|
| Impedance( $\Omega$ ) | @500Hz  | 26.0      | +/- 15%  |
|                       | @1000Hz | 30.0      | +/- 15%  |
| DCR( $\Omega$ )       | 25.0    | +/- 10%   |          |

### Nominal Frequency Response Curve



### 1.5 Package and Storage Condition

- I Package: PET bubble pack, 2pc per bubble, 200pcs per pack
- I Storage temperature range: -40°C ~ 60°C
- I Storage humidity range: <60%