

Name	Security Level
BELLSING™ Hornet Series AMBA Receiver	Open
Version	A Total of 4 Pages
REV A	

BRC310C10025

Product Data Sheet

Prepared by: _____	Date: 2016-01-05 _____
Auditor: _____	Date: _____
Approver: _____	Date: _____



Shenzhen Bellsing Acoustic Tech. Co., Ltd.

BRC310C10025 AMBA receiver

1.1 Description

Miniature balanced-armature receiver with stainless steel case for using in CIC (Complete In the Canal) and IIC (Invisible In the Canal) applications with standard response, can also be used in commercial hearing devices as middle high driver.

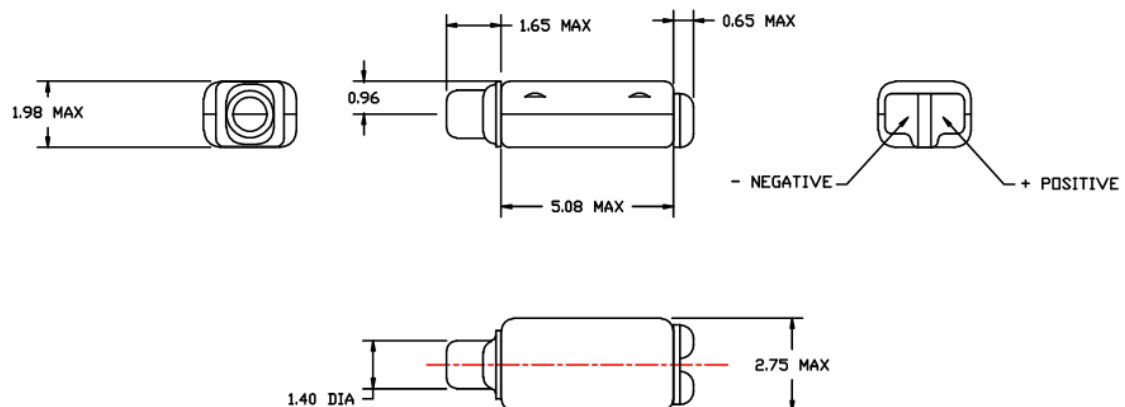
Name:	Hornet Series AMBA Receiver
Part Number:	BRC310C10025 REV A

1.2 Construction Specification



Weight: 0.11 g

Mechanical dimension : please refer to the drawing below



1.3 Features & Benefits

- I Perfect package size for CIC, IIC applications
- I Ideal choice of tweeter
- I Outstanding efficiency
- I Substantial maximum output
- I Optimized mechanical shock resistance
- I Water resisted

1.4 Electro-acoustic Specifications

Test condition

- I Acoustic tubing: 10.0 mm of 1.0 mm diameter tubing
- I Acoustic coupler: IEC711 coupler (volume of 2cc)
- I Constant voltage drive: 0.146 V RMS
- I Environment: 23 °C, RH 50%

Acoustic Parameter I

Test Item		Nominal	Tolerance	Comments
Sensitivity (dB)	@ 200Hz	104.5	+/- 3.0	
	@ 500Hz	104	+/- 3.0	
	@ 1000Hz	104.5	+/- 3.0	
Peak 1	Frequency (Hz)	3000	+/- 350	
	SPL (dB)	117.0	+/- 3.0	
Peak 2	Frequency (Hz)	5800	+/- 500	
	SPL (dB)	110.5	+/- 3.0	
Maximum output @ peak frequency (dB)		123.0	N/A	THD<10%

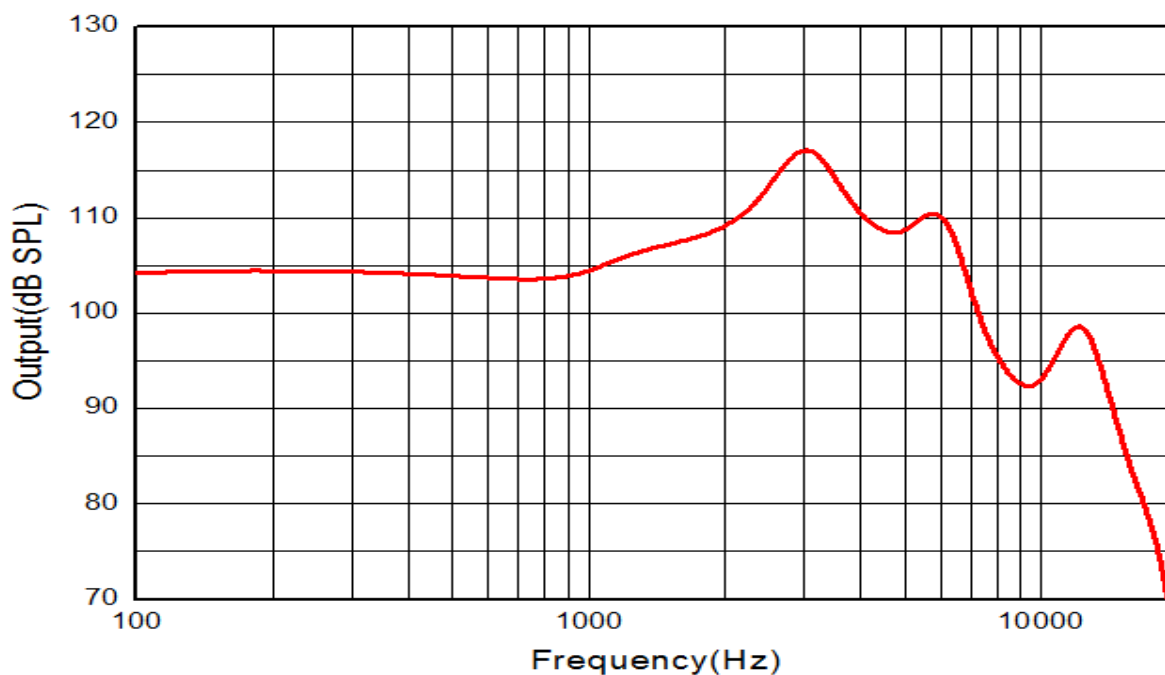
Acoustic Parameter II

Test Item		Nominal	Comments
THD (%)	@ 1/2 1st peak	< 5.0	
	@ 1/3 1st peak	< 5.0	
	@ 500 Hz	< 5.0	

Electric Parameter

Test Item	Nominal	Tolerance	Comments
Impedance (ohm)	@ 500Hz	26.8	+/- 15%
	@ 1000Hz	30	+/- 15%
DCR (ohm)	25	+/- 10%	

Nominal Frequency Response Curve



1.5 Package and Storage Condition

- I Package: PET bubble pack, 2pc per bubble, 200pcs per pack
- I Storage temperature range: -40°C ~ 60°C
- I Storage humidity range: <60%